

CCP2000-UCR-CBR

Free-Standing Sparkling & Chilled Still Water
Glass Filling Station



Free-standing, non-mechanical ice-cooled chilling sparkling and chilled still glass filling station. Pre-assembled with draft tower and undercounter chiller. Suitable for low-volume service stations and hospitality applications.

Features

- Signature Crysalli styling CBR-V2C chrome draft tower with stainless steel tubing and faucet
- Glass fill station with 12.375" clearance
- Self-closing, push lever or pull handle dispense action faucet. Faucet can be used without lever and configured to stay open
- Built-in undercounter chiller CP2000-UCR
- Internal drain bucket
- Adjustable legs: 6"-7.5"
- Ships fully assembled for ease of installation

R290



Accessories

- Dispense levers:
 - CR-SDL-1: Single sanitary dispense lever that attaches to a self-closing faucet on unit. 1 per faucet. Great for self-service hands-free dispensing applications



Built into cabinet (included with purchase of unit):

- CP2000-R-UC-BH chiller
- CR-14FC water filter
- CO2 regulator and cylinder bracket



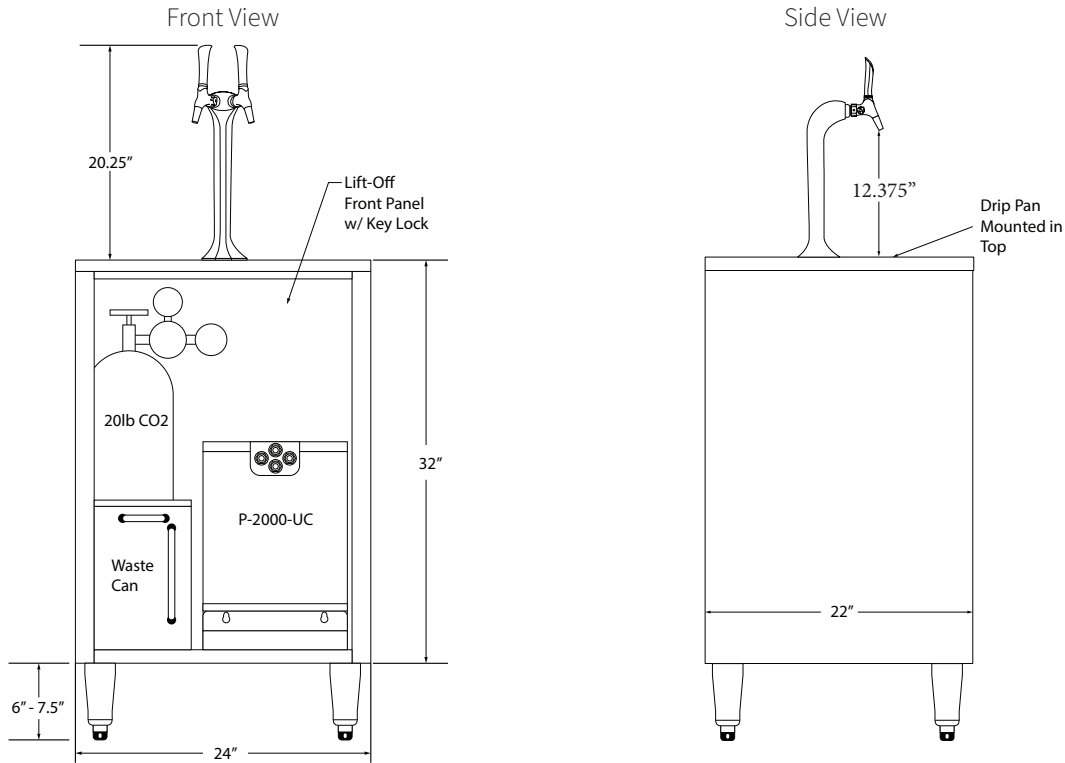
CCP2000-UCR-CBR

Free-Standing Sparkling & Chilled Still Water
Glass Filling Station



Scan for more resources!

Line Drawings



- Locking front access to components
- 6' 1/4" Water inlet with quick connect fitting
- 8' Electrical cord
- Allow for 8" rear clearance for air flow
- Built-in CR-14FC water filter

- CO2 regulator included
- Compartment and strap for CO2 tank
- Drain can with water fill level site glass 14.5"W x 6"D
- Do not block right side vents

Capacity	50, 12oz drinks/hour (<40°F)
Refrigerant	R290
Width	24"
Depth	22"
Height	58.25"
Cup fill clearance	12.375"
Compressor	1/9 H.P.

Carbonator	1.2 amp diaphragm pump
Operating temp	40°F-100°F
Electrical	120v - 3.62Amps
Water bath	2.5 gal
Ice bank	6 lbs
Weight	200 lbs