

CR-1SW

Countertop Chilled Still Water Dispenser






Commercial countertop beverage dispensing unit that provides chilled still water. Self-contained refrigeration with European design stainless steel exterior. Suitable for medium volume service stations and hospitality applications.

Features

- Up to 37 liters/hour (<40°F)
- Dual-water dispensing (chilled still)
- High-efficiency self-contained refrigeration
- Durable 304 stainless steel exterior*
- Bottle fill station with 12" clearance
- Flow control faucets

Accessories

- Water filter system (required):
 - CR-24FC: Twin filter system, compact fibredyne filters, reduce chlorine, taste, odor, color while retaining the good minerals that are essential for bottle quality tasting water, 19"H x 17"W, 5 gpm, 30,000 gal, TOC & ½ micron filtration 
 - CR-24FCP: Twin filter system with prefilter, compact fibredyne filters, reduce chlorine, taste, odor, color and organic chemicals while providing exceptional sediment reduction with resistance to premature plugging, 19.25"H x 21.75"W, 5 gpm, 30,000 gal, TOC & ½ micron filtration
- Install kit (required):
 - CR-KIT-SWCT: Installation kit for countertop still water units, CR-1SW & CR-2SW, includes fittings and oetiker clamps and extra tubing to install the filter systems and countertop unit 
- Dispense levers:
 - CR-SDL-1: Single sanitary dispense lever that attaches to a self-closing faucet on unit. 1 per faucet. Great for self-service hands-free dispensing applications 



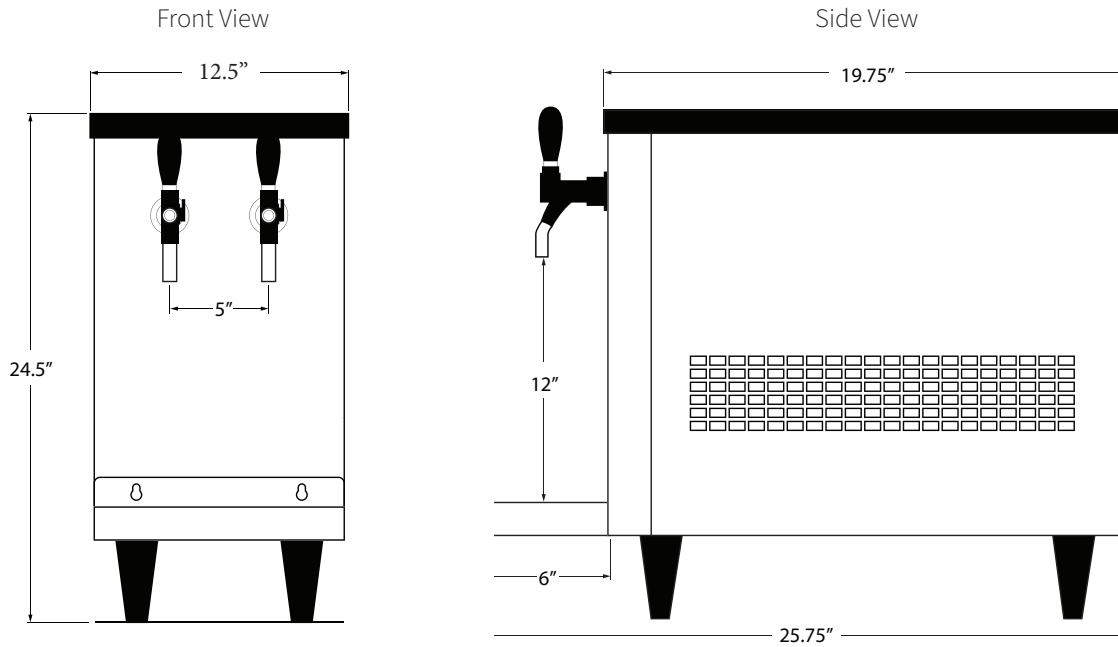
CR-1SW

Countertop Chilled Still Water Dispenser



Scan for more resources!

Line Drawings



- 3/8" Water inlet push in fitting at bottom of machine
- 7' Over flow drain hose
- 9' Electrical cord NEMA 5-15
- 4.0" - 5.5" adjustable legs
- Air intake at rear with air filter
- Allow for 6" side clearance for air flow out
- Allow for 3" of rear clearance for air flow in

Capacity	37 liters/hour (<40°F)
Refrigerant	R290
Width	12.5"
Depth	25.75"
Height	24.5"
Bottle fill clearance	12"
Compressor	1/5 H.P.

Operating temp	40°F-100°F
Electrical	120v - 3.55 Amps
BTU Output	~2,200 BTU/hr
Water bath	3 gal
Ice bank	17 lbs
Weight	75 lbs