

## CP2000-R-UC-BH

Low-Volume Undercounter Sparkling & Chilled Still Water Chiller



Low-volume undercounter chiller unit that provides cold-carbonated sparkling water and chilled still water. Self-contained refrigeration designed for undercounter installation up to 6' from draft tower. Suitable for office, hotel suites, wineries, and residential.

### Features

- Cold carbonation at up to 50, 12oz drinks/hour (<40°F)
- Sparkling and chilled still water
- High-efficiency self-contained refrigeration
- Built-in re-circulatory pump allows for an installation distance up to 6' between tower and chiller
- Stainless steel water chilling coil

**R290**



### Accessories

- Water filter system (required):
  - CR-14FC: Single filter system, compact fibredyne filters, reduce chlorine, taste, odor, color while retaining the good minerals that are essential for bottle quality tasting water, 18”H x 8”W, 2.5 gpm, 15,000 gal, TOC & ½ micron filtration
  - CR-14FCP: Single filter system with prefilter, compact fibredyne filters, reduce chlorine, taste, odor, color and organic chemicals while providing exceptional sediment reduction with resistance to premature plugging, 15”H x 14”W, 2.5 gpm, 15,000 gal, TOC & ½ micron filtration
- Install kit (required):
  - CR-KIT-CPUC: Installation kit for CP2000-R-UC-BH, includes LBS-10JG leak block sensor, water pressure reducer valve, fittings, and extra tubing to install the filter systems and undercounter unit
- CO2 regulators:
  - CR-PC160-14FCV: Primary high pressure CO2 regulator for CO2 tank
  - CR-S115-14FCV: Secondary CO2 regulator for bulk CO2 supply
- Wall brackets:
  - CR-CWB1: Single CO2 gas cylinder wall bracket
  - CR-CWB2: Twin CO2 gas cylinder wall bracket
- Use with CBR series draft towers and drain pans



# CP2000-R-UC-BH

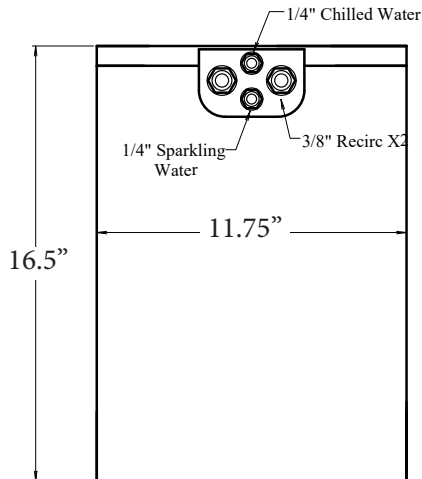
Low-Volume Undercounter Sparkling  
& Chilled Still Water Chiller



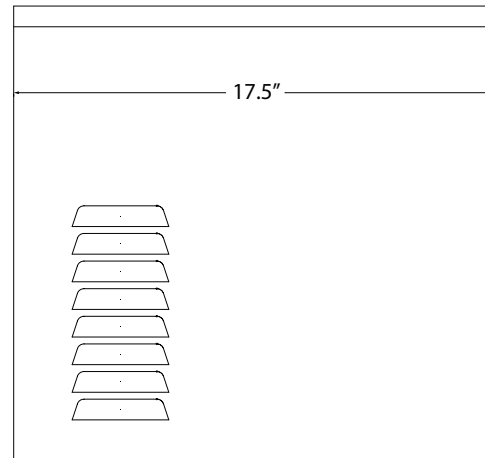
Scan for more resources!

## Line Drawings

Rear View



Side View



- 7' water inlet hose with 3/8" JG fitting
- 7' Over flow drain hose
- 7' CO2 hose 1/4" flare fitting
- 9' Electrical cord NEMA 5-15
- Trunkline connections at the top, back of unit
- CO2, drain & electrical out at back side
- Ensure well-ventilated space or cabinet
- Allow for 6" rear & side clearance for air flow
- Air intake on side panels, exhausts out rear

Capacity	50, 12oz drinks/hour (<40°F)
Refrigerant	R290
Width	11.75"
Depth	17.5"
Height	16.5"
Compressor	1/9 H.P.

Carbonator	1.2 amp diaphragm pump
Operating temp	40°F-100°F
Electrical	120v - 3.62 Amps
Water bath	2.5 gal
Ice bank	6 lbs
Weight	80 lbs